

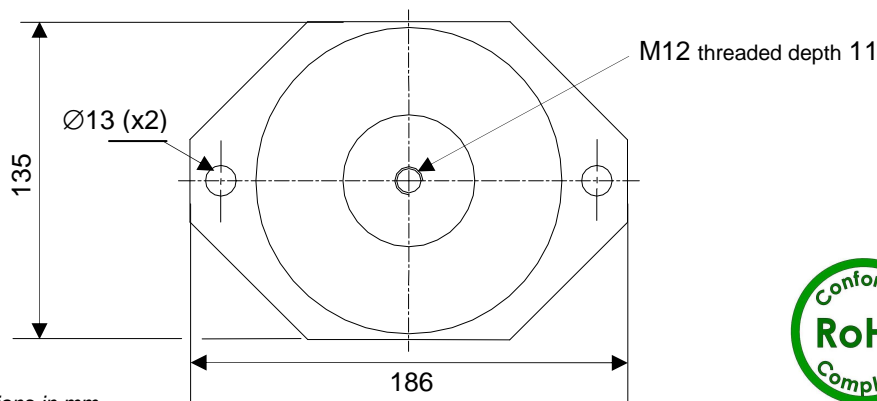
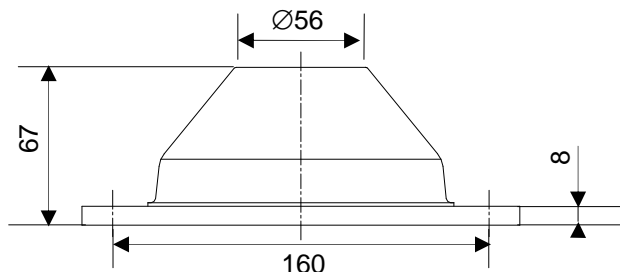
low frequency elastomer mounts

series

standard line "BF"

BFJ

definition



Dimensions in mm

- Multidirectional anti-vibration/ shock mounts.
- Displacement under shock up to 50mm (*).
- Transmissibility : $Q < 10$.
- Maximum static load 3g.
- Resonant frequency between 7 and 13Hz.
- Max peak output at resonance up to 1,25mm.
- Temperature range : -30°C +100°C.
- Great adaptability/versatility : Specials on request (materials, size and interfaces, etc.).



Series

Materials and finishes

BFJ-2

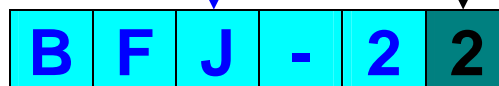
Elastomer :
polychloroprene
Top and bottom interfaces :
corrosion protected steel

Other materials
on request.

Load

capability	static load (daN)		axial stiffness	mass (kg)
	mini	maxi	(N.mm ⁻¹)	
1	10	20	40	1,35
2	20	40	65	
3	35	70	115	
4	60	130	200	

Example :
BFJ-22



Prefix :
"Low Frequency" mount
from the **BFJ-2** series

Suffix : 2
min static load : 20 daN
max static load : 40 daN
axial stiffness : 65 N.mm⁻¹

(*) Displacement under shock limited to 35mm in tension for BFJ-24 type.

01/01/2013

Socitec
BP 33, 78501 Sartrouville cedex - France
Telephone : +33 (0)1 61 04 60 00
Fax : +33 (0)1 39 14 03 27
http://www.socitec.com
e-mail : shock-intl@socitec.com



Document subject to modification without prior notice